

Avtron LPH

Ultra-Compact, Portable Load Bank - 25 to 75 KW

Testing Your Emergency Standby Generator with a Load Bank Means Reliability When it Matters Most.

Key Features

- Rated for Continuous Operation
- Ultra-Compact, Portable, Easy to Transport, and Operate
- Large Load Capacity - up to 75 KW
- Lightweight Aluminum and Aluminized Steel Enclosure
- Convenient Operator Controls with Digital Metering and Data Logging Software Included

Superior Avtron quality combined with simple operation and maintenance will provide years of trouble free service.

Avtron's extensive line of Load Bank and Industrial Resistor Products are solid performers used throughout the world.

For total technical support or additional information, please contact Avtron at (216) 573-7600 or LBsales@Emerson.com.

Quality System Certified to ISO 9001

The Avtron Model LPH Load Bank is a portable, ultra-compact resistive load bank designed for indoor use.

The Avtron LPH Load Bank is a portable, ultra-compact, resistive load bank specifically designed for testing and routine maintenance of smaller generators and UPS systems. At only 70 lbs. [32 kg], it is light enough to be easily moved and transported by one technician, and rugged enough to stand up to years of reliable service. The LPH load bank features lightweight aluminum and aluminized steel construction, and quick-connect load terminals. The load bank comes standard with a hard cover protective travel case on casters with a telescoping handle.

The LPH load bank is available in four standard versions including:

Three Phase, 60 Hz

55 KW at 240 or 480 VAC

75 KW at 208 VAC

Single Phase, 60 Hz

25 KW at 120 or 240 VAC

75 KW at 240 VAC

The load bank controls and cooling fans are powered by any standard 120 VAC, single phase wall outlet with detachable line cord provided. An integral control panel is provided for load bank operation and includes the necessary controls, and status indicators.

The LPH load bank also includes the Avtron Advanced Digital Monitoring System (ADMS)[™] as a standard feature. The ADMS meter provides faceplate digital display of Volts, Amps, Frequency, and KW. The Communicator EXT[™] Data Logging Software allows Real Time Data Acquisition and trending of all meter parameters from your Laptop PC or PDA. An Infrared/USB interface cable is included for "Plug and Play" convenience.



LPH 75 KW Ultra-Compact, Portable Avtron Load Bank with transport case.

Avtron LPH

Ultra-Compact, Portable Load Bank - 25 to 75 KW

Specifications subject to change without notice.

Construction

A compact aluminum and aluminized steel enclosure with screened inlet and exhaust openings. Two hand holds are provided for easy lifting.

Control Power

The load bank requires control power of 120 VAC, single phase, 60 Hz (line cord provided).

Cooling

The resistive elements are air-cooled by six high velocity muffin fans for quiet operation.

Controls

The operator control panel includes a MASTER LOAD ON-OFF switch, load step ON-OFF industrial toggle switches, a BLOWER ON-OFF switch, and a LOAD VOLTAGE selector switch (Dual Voltage model only).

Digital Metering

Avtron Advanced Digital Monitoring System (ADMS)[™] is provided for display of Volts, Amps, Frequency, and KW. ADMS[™] also includes Communicator EXT[™] Data Logging Software.

Safety Features

The LPH Load Bank features main line circuit fusing, and overtemperature protection.

Load Capacity Ratings: (1 phase, 60 Hz)

Available Load Step Resolution: 0.5 or 1 KW

Rated KW	120/240 VAC	240 VAC
25	✓	
75		✓

Load Capacity Ratings: (3 phase, 60 Hz)

Available Load Step Resolution: 5 KW

Rated KW	240/480 VAC	208 VAC
55	✓	
65		✓
70		✓
75		✓

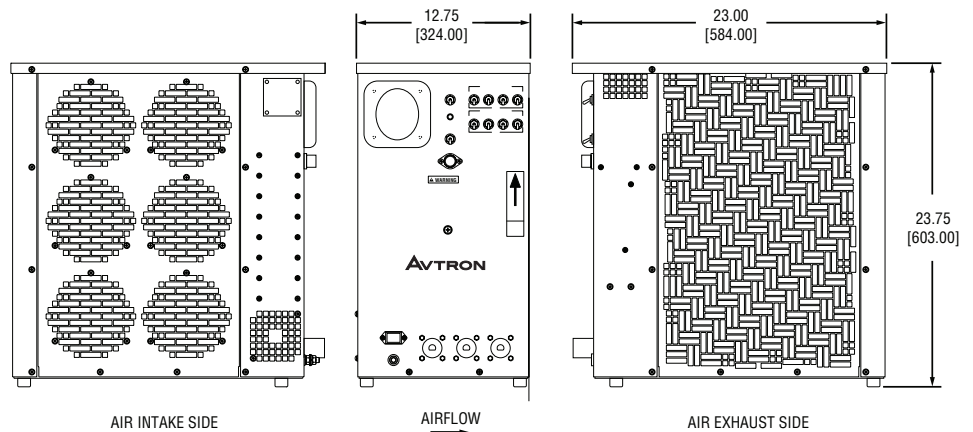
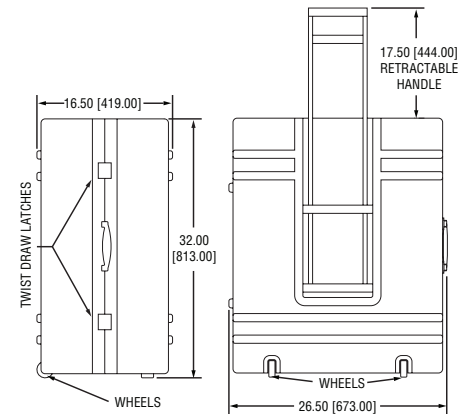
NOTE Designs for international 50/60 Hz voltages or custom DC designs are also available. Consult factory.

Load Bank Weight (approx.)

Load Bank only: 70 lbs. [32 kg]

Case only: 20 lbs. [9 kg]

Load Bank & Case: 90 lbs. [41 kg]



All dimensions are in inches [millimeters].



Emerson Network Power

Avtron • 6255 Halle Drive, Cleveland, Ohio 44125, U.S.A.
216-573-7600 • FAX: 216-573-5953 • LBSales@Emerson.com

EmersonNetworkPower.com/loadbank

Emerson, Consider it Solved and Emerson Network Power are trademarks of Emerson Electric Co. or one of its affiliated companies. All the other marks are the property of their respective owners.

Communicator EXT[™] is a trademark of Electro Industries/GaugeTech. ADMS[™] is a trademark of Avtron. Specifications subject to change without notice.

©2015 Emerson Network Power

Bulletin 434 • Rev. D

EMERSON. CONSIDER IT SOLVED.™