

Product Specification Sheet

20 µL Biotix® xTIP4® Filter and Non-Filter Pipette Tips



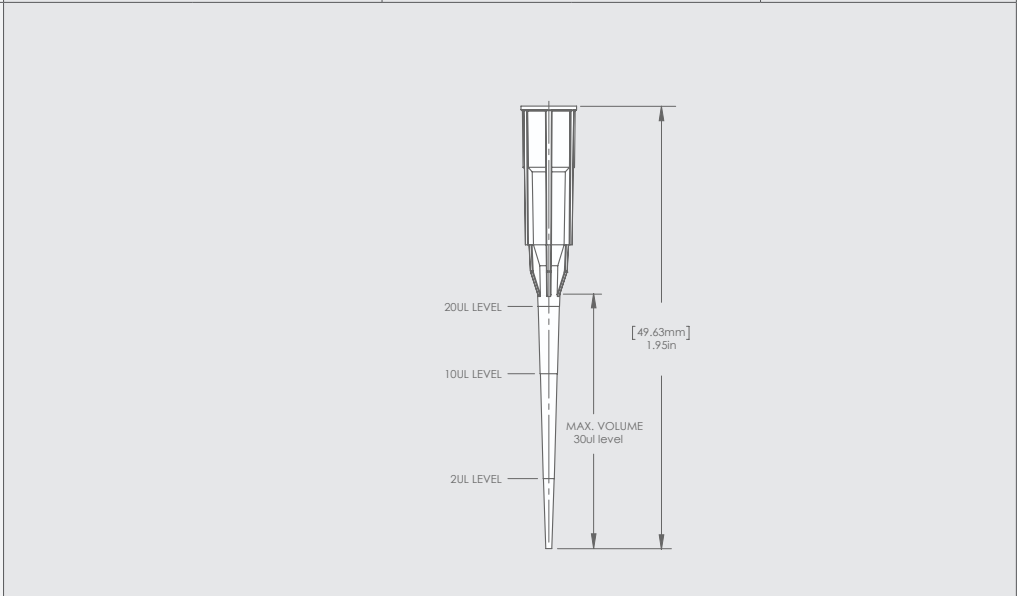
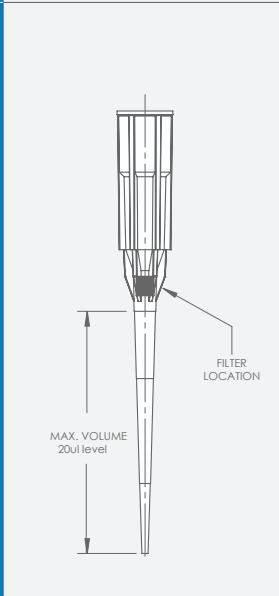
63300931



63300005

Description	xTIP4® Filter Pipette Tips, Low Retention	xTIP4® Pipette Tips, Low Retention				
Biotix Part Number	63300931	63300005	63300020	63300010	63300025	63300015
Maximum Volume	20 µL	30 µL		30 µL		30 µL
Graduation levels	2, 10, 20	2, 10, 20		2, 10, 20		2,10, 20
Filtered	Yes	No		No		No
Low Retention	Yes	Yes		Yes		Yes
Pre-Sterilized	Yes	Yes	No	Yes	No	Yes
BioReady	Yes	Yes		Yes		Yes
Material	Clear Polypropylene	Clear Polypropylene		Clear Polypropylene		Clear Polypropylene
Packaging Type	Racked	Racked		CleanPak Reload		Tip Eject Reload
Packaging	96 tips/rack 10 racks/pack	96 tips/rack 10 racks/pack		10 refills/pack 5 packs/case		10 refills/pack 5 packs/case

Technical Drawings



Quality Testing

RNase/DNase	Products are washed in distilled water and concentrated via centrifugation. Samples are added to previously established nucleic acid standards, incubated for one hour at 37°C, and tested on a 2% gel using electrophoresis. Products must show no degradation of standards to pass. Test sensitivity is 10 ⁻⁷ Kunitz units/μL.
Nucleic Acid	Products are washed in distilled water and concentrated via centrifugation. Then, samples are added to protocol specified PCR reactions and thermal cycled for 50 cycles. A 2% agarose gel electrophoresis is used to examine experimental samples, positive controls, and negative controls. To pass, product samples must show no DNA amplification. Test sensitivity is 10 ng.
Endotoxin/Pyrogen	Products are tested for endotoxins by using the Limulus Amebocyte Lysate (LAL) gel assay according to FDA guidelines. Test sensitivity is 0.06 EU/ml.
Trace Metal	Products are washed in distilled water. The sample is then tested using reflectometry using a single strip test for the following metals: Ca, Cu, Fe, K, Mg, Mn and Ni. Standard solutions are used as positive controls. A reader is used to detect metals to a sensitivity of 500 mg/L.
PCR Inhibitor	Products are tested via PCR amplification and gel electrophoresis analysis. Samples must show normal amplification to be considered free of PCR inhibitors.
Sterilization	Products are sterilized to 10 ⁻³ sterility insurance level (SAL).
CV Test	Each lot of Biotix product is CV tested and the resulting CV is then printed on the pack label. The volumetested is equal to the maximum volume per tip size.

Proprietary Technologies

FlexFit®	Provides flexibility on the proximal end of tips, dramatically minimizing the necessary insertion to make a secure seal
StarStop®	A positive stop technology which reduces ejection force on LTS pipettes
X-Resin®	Proprietary polypropylene resin designed to reduce sample retention without the risk of leeching or sample contamination
Blade®	Blade technology reduces the frequency of hanging droplets increasing both accuracy and precision