

▼ Shown: PRASA10027L and Accessory Locking U-Rings



Safe, Efficient, Mobile Load Lifting



Pendant Cord

Standard 12 ft. pendant cord for air driven units with pneumatic valves and 20 ft. pendant cord for electric driven units keeps operator away from the load.



POW'R LOCK – Self-Locking Mobile Lift System

A self-locking jack that performs automatic locking during lifting, lowering and holding. See the Enerpac PL-Series.

Page: 70

- 60, 100, 150 and 200-ton capacities with pneumatic or electric pumps for the toughest jobs
- 4-inch ground clearance for transport over rail and rough terrain
- Three-position handle provides easy tilt back and transport
- Complies with ASME/ANSI B30.1:2015 & CE specifications
- Easy-to-change external filter minimizes down time
- Rugged, fully enclosed 24-inch wide frame with no exposed fittings or hoses
- SUP-R-STACK™ Extension System allows lifting at all heights without blocking.



◀ Enerpac POW'R-RISER® used in mining operations to lift heavy equipment.

| Capacity | Stroke | Electric Pump Model Number | Weight |
|----------|--------|----------------------------|--------|
| (ton) | (in) | (115 VAC) | (lbs) |
| 60 | 14 | PREMB06014L | 390 |
| | 27 | PREMB06027L | 600 |
| 100 | 16 | PREMB10016L | 510 |
| | 27 | PREMB10027L | 600 |
| | 16 | - | - |
| 150 | 27 | - | - |
| | 15.5 | - | - |
| | 26.5 | - | - |
| | 15.5 | PREMB15016L | 570 |
| 200 | 26.5 | PREMB15027L | 708 |
| | 15.3 | - | - |
| | 24.3 | - | - |

(PR-Series not available in Canada. Contact Enerpac.)

POW'R-RISER® Lifting Jack



SUP-R-STACK™ Extensions

Increase useful height from 5" to 18".

| Model No. | Size (in) | Model No. | Size (in) |
|-----------|---|-----------|-----------|
| PRE5 | 5 | PRE11 | 11 |
| PRE7 | 7 | PRE14 | 14 |
| PRE9 | 9 | PRE18 | 18 |
| PRES6024 | Extension set includes PRE5, PRE7, PRE11, PRE18 | | |



Spacers

Fine tune your Extension stack height.

| Model No. | Size (in) | Model No. | Size (in) |
|-----------|--|-----------|-----------|
| PRS1 | 1 | PRS3 | 3 |
| PRS2 | 2 | - | - |
| PRS4 | Set includes (2) PRS1, (1) PRS2 and (1) PRS3 | | |

PR Series



Rated Lifting Capacity:

60 - 200 tons

Stroke:

14 - 27 inches

Maximum Operating Pressure:

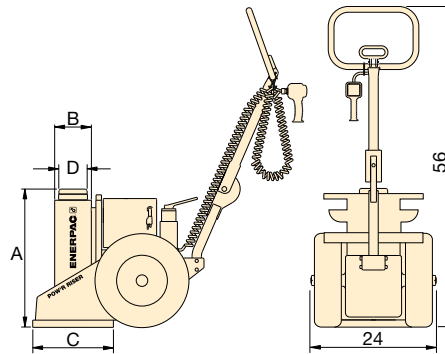
10,000 psi

| Cap. (ton) | Swivel Load Cap | Locking U-Rings | | | | | Set Model Number | Locking U-Ring Sets Include | | | | | | |
|------------|-----------------|-----------------|--------|-----------|-----------|---------|------------------|------------------------------|---------|--------|--------|--|--|--|
| | | 1 in. | 3 in. | 4 1/4 in. | 5 1/2 in. | 10 in. | | (quantity and model numbers) | | | | | | |
| | | | | | | | 2X | 1X | 2X | 1X | | | | |
| 60 | PRTS60 | PRU11 | PRU13 | PRU14 | - | PRU110 | 1) PRUS126 | PRU11 | PRU13 | PRU14 | - | | | |
| | | | | | | | 2) PRUS137 | PRU11 | PRU13 | PRU14 | PRU10 | | | |
| 100 | PRTS60 | PRU11 | PRU13 | PRU14 | - | PRU110 | 1) PRUS126 | PRU11 | PRU13 | PRU14 | - | | | |
| | | | | | | | 2) PRUS137 | PRU11 | PRU13 | PRU14 | PRU110 | | | |
| 150 | PRTS150 | PRU151 | PRU153 | - | PRU155 | PRU1510 | 3) PRUS1526 | PRU151 | PRU153 | PRU155 | - | | | |
| | | | | | | | 2) PRUS1537 | PRU151 | PRU1510 | PRU155 | - | | | |
| 200 | PRTS200 | PRU201 | PRU203 | - | PRU205 | PRU2010 | 3) PRUS2026 | PRU201 | PRU203 | PRU205 | - | | | |
| | | | | | | | 2) PRUS2037 | PRU201 | PRU2010 | PRU205 | - | | | |

¹⁾ For 14 and 16" stroke models

²⁾ For 27" stroke models

³⁾ For 15.5" stroke models



WARNING!

Extensions: Any two Extensions may be stacked for loads up to 60 tons. For loads over 60 tons or strokes over 14" only one Extension and one Spacer can be used.

Spacers: Never exceed 3" in total Spacer height.



Locking U-Rings

For safe mechanical cribbing of a lifted load, accessory Locking U-Rings can be placed around an extended piston and come in four lengths for each POW'R-Riser® capacity, and are available individually or in sets. Locking U-Rings are accommodated by storage racks integral to the POW'R-Riser®.

| Air Pump | Weight (lbs) | A (in) | B (in) | C (in) | D (in) | Max. Additional Stack Height Using Optional Ext. System (in) | Valve Type |
|-------------|--------------|--------|--------|--------|--------|--|------------|
| PRAMA06014L | 390 | 24 | 6.4 | 14 | 4 | 32* | Manual |
| PRAMA06027L | 600 | 37 | 6.4 | 14 | 4 | 11 | |
| PRAMA10016L | 510 | 26 | 7.0 | 18 | 4 | 21** | Pneumatic |
| PRAMA10027L | 600 | 37 | 7.0 | 18 | 4 | 11 | |
| PRASA10016L | 510 | 26 | 7.0 | 18 | 4 | 21** | |
| PRASA10027L | 600 | 37 | 7.0 | 18 | 4 | 11 | |
| PRASA15016L | 570 | 26 | 8.0 | 18 | 5 | 21** | Pneumatic |
| PRASA15027L | 708 | 37 | 8.0 | 18 | 5 | 11 | |
| - | - | 26 | 8.0 | 18 | 5 | 21** | Manual |
| - | - | 37 | 8.0 | 18 | 5 | 11 | |
| PRASA20016L | 640 | 26 | 9.5 | 20 | 6 | 21** | Pneumatic |
| PRASA20027L | 825 | 37 | 9.5 | 20 | 6 | 11 | |

* Based on one 18" and one 11" Extension and one 3" Spacer.

** Based on one 18" Extension and one 3" Spacer.

For power source, the following characters should be inserted in the 5th space of the model number.

Ordering Example:

Model No. PREMI06014L is a 14" stroke, 60 ton model, with a manual valve and a 208-240 VAC, 1-ph electric motor.

- A Air Pump, 50 scfm, 80 psi
- B 115 VAC, 1-ph., 50-60 Hz, 20 A
- E 208-240 VAC, 1-ph., 50-60 Hz, Euro Plug, 10 A
- I 208-240 VAC, 1-ph., 50-60 Hz, USA Plug, 10 A
- G ¹⁾208-240 VAC, 3-ph., 50-60 Hz
- W ¹⁾380-415 VAC, 3-ph., 50-60 Hz
- J ¹⁾440-480 VAC, 3-ph., 50-60 Hz
- R ¹⁾575 VAC, 3-ph., 50-60 Hz

¹⁾ Not available for 60-ton capacity